

120W LED CORN BULB—for 400W HPS/MH/HID replacement



Specifications

Model	E2CLS-120W
Rate Power	120W
Input Voltage	AC100-277V 50-60HZ
CCT	2700K-5700K
Base	E39
Power Factor	0.98
CRI	>80
Lumen	8677.1LM-9203LM
Chip	Samsung 5630
LED Qty	336pcs x 0.3W
Certification	UL, DLC, Lighting Fact, LM79
Lifespan	50,000hrs
Warranty	5 years for TOTAL product



Samsung LM561B



Rubycon

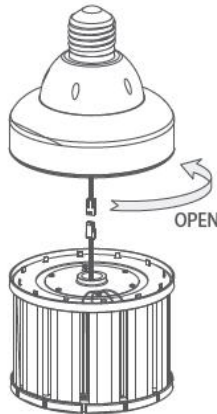
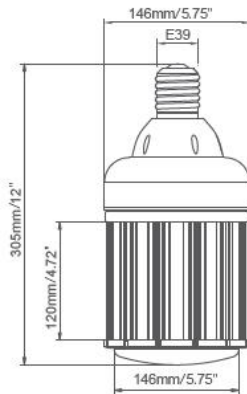


E39

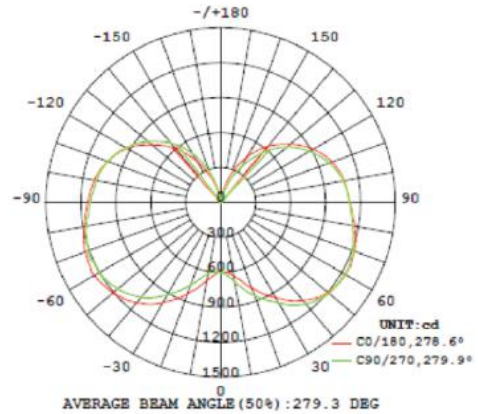


JAE Connector

Dimension



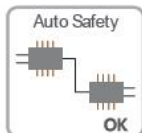
Luminous emittance



Long Lifespan of 10years



Reliability Test



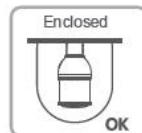
Safety Protection Circuit



No Mercury
No UVLight



Big Saving(87%)
on Electricity Costs

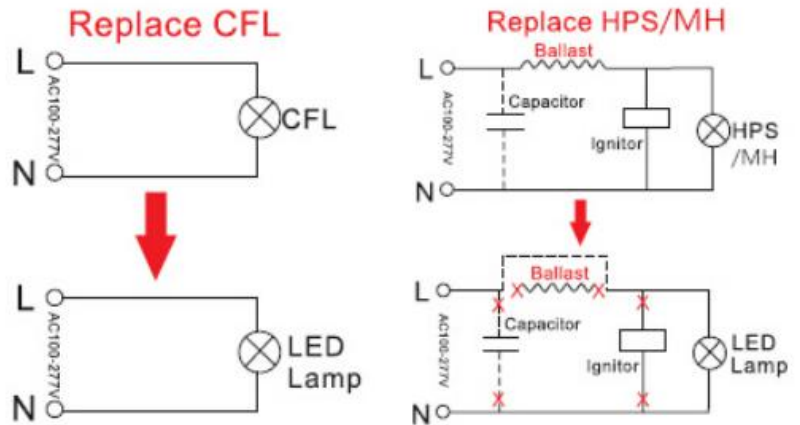


Usable in Enclosed
Luminaires



Omni Wide Angle

Installation



Absolute Maximum Rating

Aluminum Heat Sink Temperature	65°C
Operating Temperature	-20~+50°C
Storage Temperature	-40~+80°C
Equilibrium Temperature	25°C

Product Packing Specification

Pack Quantity	4pcs	
Net Weight	1828g	
Gross Weight Per CTN	9kg	
Box Size	185*185*337mm	
CTN Size	385*385*357mm	

CAUTIONS

- Make sure remove the traditional ballast before replace the LED corn light.
- Don't take apart the product or replace mechanical and electronic components.
- Don't stare at the strong light for a long time as it may cause injury to eyes.